

Analytically Accurate™

MCP

DASTEC S.R.L.

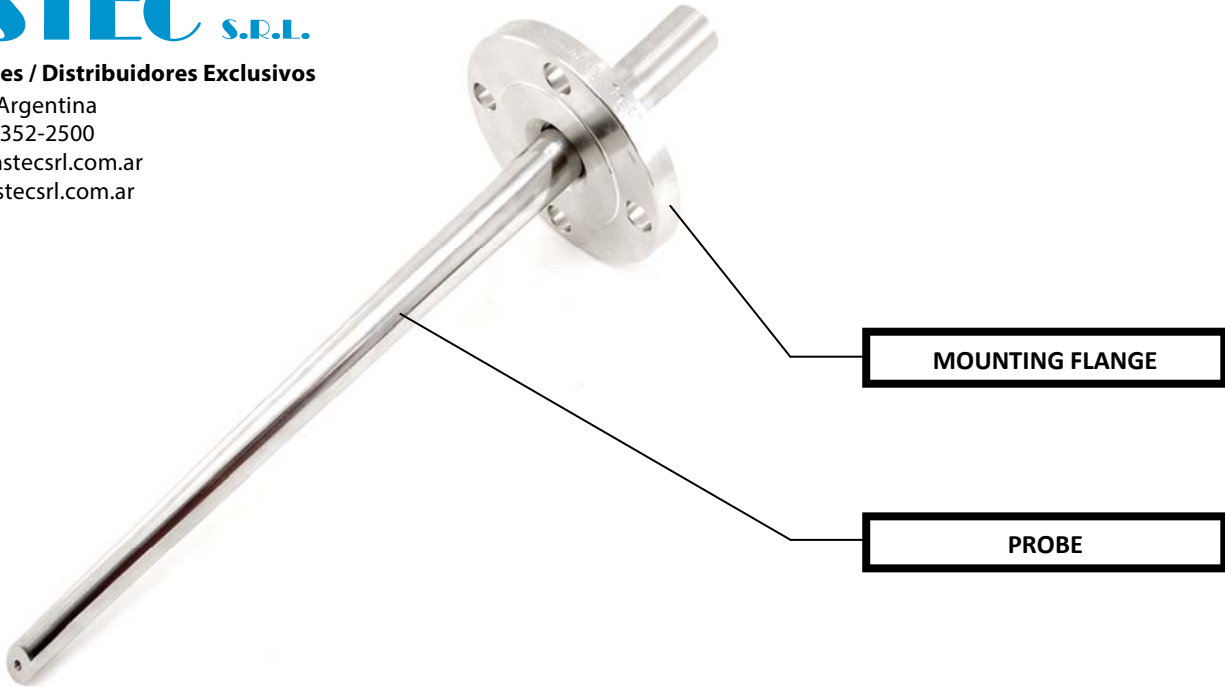
Representantes / Distribuidores Exclusivos

Buenos Aires, Argentina

Tel.: (54 - 11) 5352-2500

Email: info@dastecsrl.com.ar

Web: www.dastecsrl.com.ar



Mustang Certiprobe® Sample Extractor

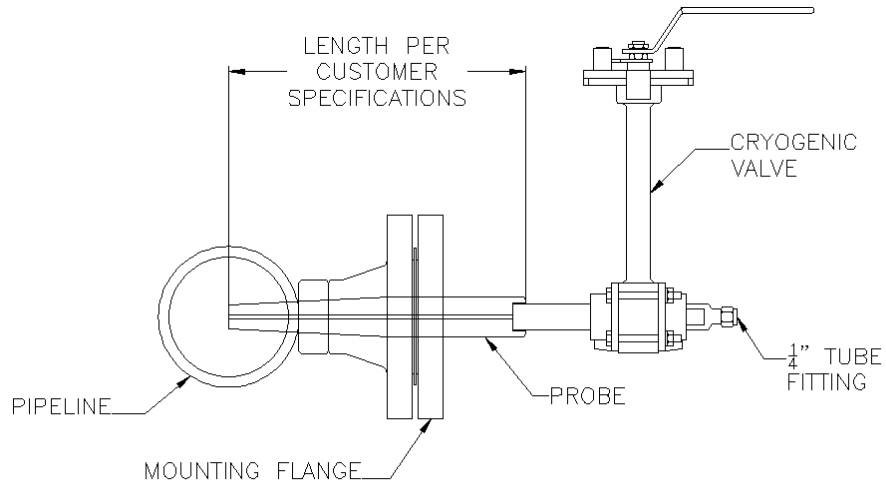
The Mustang Certiprobe® sample extractor is designed to be the initial access point for pipeline or pressure vessels in LNG, LPG or other process sampling.

Certiprobe® sample extractors are fabricated to meet the ANSI B31.3-2004 process piping standard and include Nondestructive Examination (NDE) of Positive Material Identification (PMI) and Dye Penetrant Inspection (DPI) for all welds.

Prior to pipeline installation, a stress analysis is performed for the design using the pipeline conditions of pressure, temperature, flow velocity, and the process fluid's physical parameters.

- ▶ Analytically Accurate™
- ▶ Conforms to ANSI B 31.3-2004 & ISO 8943-2007
- ▶ Includes NDE of PMI and DPI
- ▶ Fabricated to customer-specified metallurgy & rating
- ▶ Stress analysis prior to pipeline installation
- ▶ Suitable for LNG, LPG, & other process sampling
- ▶ May be utilized with the Pony® Probe Enclosure

PRODUCT DIMENSIONS



PROBE MUST BE IN HORIZONTAL RUN WITH EXTENSION IN VERTICAL POSITION

Fig. 1a—Front View Probe w/ Valve

PRODUCT SPECIFICATIONS

Maximum pressure design	ANSI Class 2500
Wetted materials	304 & 316 stainless steel, Hastelloy C-276, & Carbon Steel

OPTIONAL THREADED PROBE



Mustang Sampling®

info@mustangsampling.com
www.mustangsampling.com

P 304-273-5357
F 304-273-2531
P.O. Box 490
Ravenswood, WV 26164



Locally Represented By:

DASTEC S.R.L.

Representantes / Distribuidores Exclusivos
Buenos Aires, Argentina
Tel.: (54 - 11) 5352-2500
Email: info@dastecsr.com.ar
Web: www.dastecsr.com.ar